

Features:

- Broadband: DC - 18 GHz
- Extended Life: 2 million cycles
- Excellent Repeatability
- Low Insertion Loss
- High Isolation

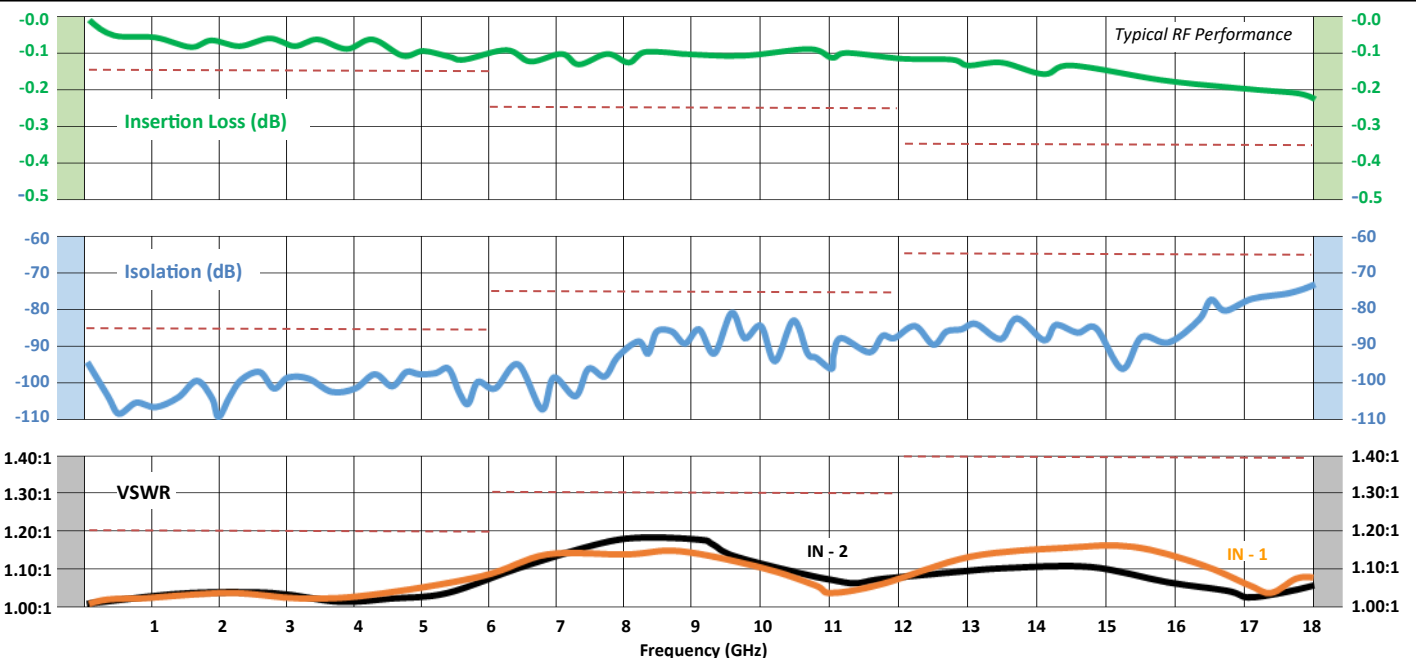


RF Specification:

Frequency (GHz)	DC - 6	6 - 12	12 - 18
Ins. Loss dB (max)	0.15	0.25	0.35
Isolation dB (max)	85	75	65
VSWR (max)	1.20:1	1.30:1	1.40:1
Switching Time	20 mS (max)		
Switching Action	Break-Before-Make		
Nominal Impedance	50 Ohms		

Description:

High reliability and low loss performance makes these switches ideal for testing and end product applications. A wide selection of connectors and features is available to meet most requirements. Good low to medium power handling. **Applications:** test stations, stand-by switch, Tx/Rx antenna switch, distribution switch. **Markets:** defense, telecom, aerospace, enterprise, consumer and IoT.



Specifications	
Oper Temp	-25° C to +70° C
Oper Temp	-54° C to +85° C (ruggedized version)
Storage Temp	-55° C to +100° C
Humidity	Moisture resistant or immersion sealing available
Shock	MIL-STD-202 Method 213, Condition D, 500G (non oper)
Vibration	MIL-STD-202 Method 214, Condition D, 10G RMS (non oper)
Cycle Life	2M cycles (may vary based on selected options)

Popular Models	
12S-S2F3-1812	SPDT, SMA, Failsafe, Indicators, DC-18GHz, 12VDC
12S-S2F2-1812	SPDT, SMA, Failsafe, DC-18GHz, 12VDC
12S-S2F3-1812	SPDT, SMA, Failsafe, Indicators, DC-18GHz, 12VDC
12S-S2F3-1812-F	SPDT, SMA, Failsafe, Indicators, DC-18GHz, 12VDC, D-Sub
12S-S2F6-1812-T	SPDT, SMA, Failsafe, +com, DC-18GHz, 12VDC, TTL
12S-S2F3-1824-T	SPDT, SMA, Failsafe, Indicators, DC-18GHz, 24VDC, TTL
12S-S2F3-1828-T	SPDT, SMA, Failsafe, Indicators, DC-18GHz, 28VDC, TTL

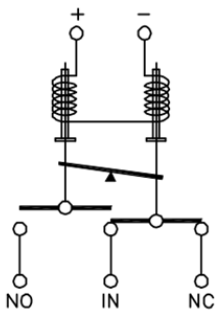
Voltages and Current					
Nominal Voltage, Vdc	5	12	15	24	28
Voltage Range, Vdc	4.5-6	11-13	14-16	22-26	26-30
Current (mA)*	470	200	160	110	90

* at nominal voltage and +20°C

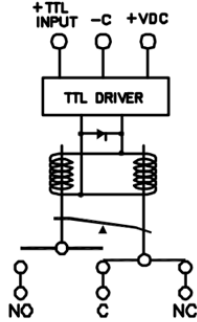
- See backside for a full list of available features and options
- Contact us for high power and custom designs



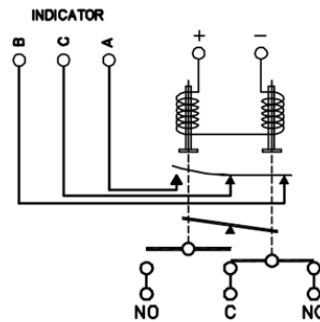
Schematics:



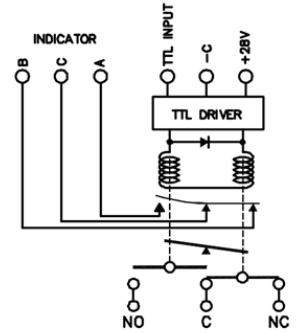
Standard



TTL

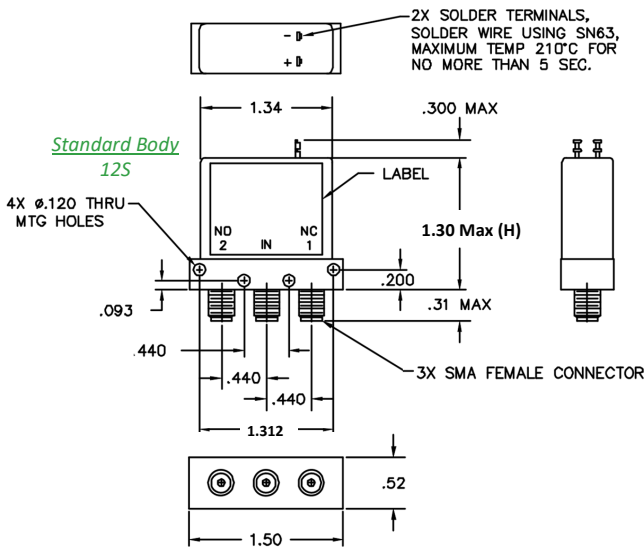


Indicators

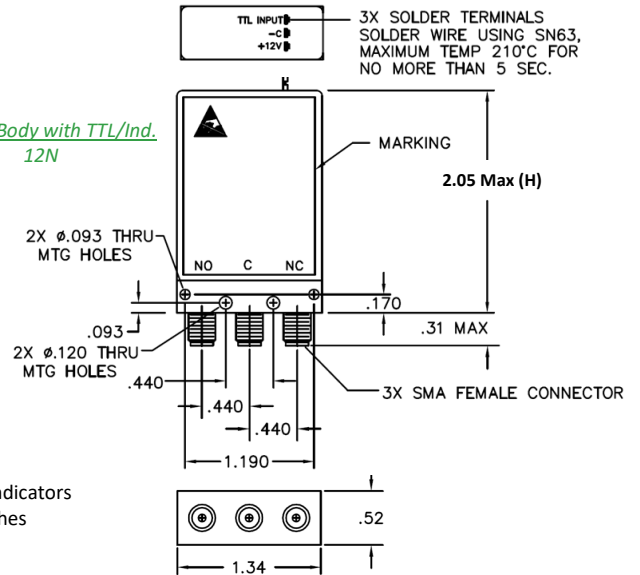


Indicators + TTL

Outline:



Narrow Body with TTL/Ind. 12N



H = 1.30 max standard
H = 2.05 max with TTL/Indicators
All dimensions are in inches

Model Numbering System

Example: 12S-S2F3-1824-TF-R

(SPDT, Standard Body, SMA, Failsafe w/indicators, DC-18GHz, 24VDC, TTL, D-Sub, Ruggedized)

Model Type	Connector Type	Actuator Type	Frequency	Voltage	Options
Standard	SMA	Failsafe	03 DC-3 GHz	05 5 VDC	T TTL Driver
Narrow Body	SMB	Failsafe, Ind	06 DC-6 GHz	12 12 VDC	D TTL Decoder
	RF Pin	Failsafe, +com	08 DC-8 GHz	15 15 VDC	J Trans Suppression Diodes
	2.92mm	Failsafe, Ind, +com	12 DC-12 GHz	18 18 VDC	Solder Pin/Plug*
	Special		18 DC-18 GHz	20 20 VDC	F 9 Pin D-Sub Connector
			XX Special	24 24 VDC	M Moisture Seal (2 levels available)
				28 28 VDC	X Special
				48 48 VDC	

* Solder pins are standard for SPDT, no designation on model number needed

