

Features:

- Broadband: DC - 26.5 GHz
- Extended Life: 2 million cycles
- Excellent Repeatability
- Low Insertion Loss
- High Isolation

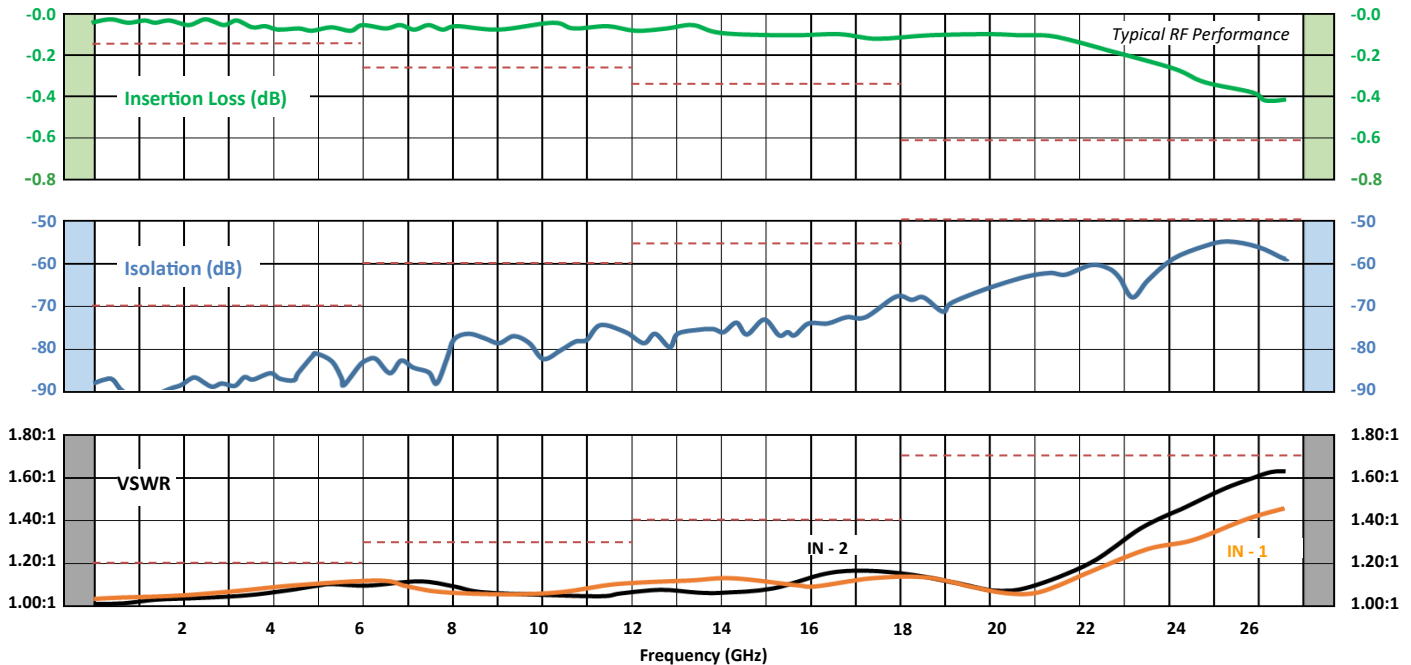


RF Specification:

| Frequency, (GHz) | DC-6 | 6-12 | 12-18 | 18-26.5 |
|--------------------|-------------------|--------|--------|---------|
| Ins. Loss dB (max) | 0.15 | 0.25 | 0.35 | 0.60 |
| Isolation dB (min) | 80 | 70 | 60 | 50 |
| VSWR (max) | 1.20:1 | 1.30:1 | 1.40:1 | 1.70:1 |
| Switching Time | 20 mS (max) | | | |
| Switching Action | Break-Before-Make | | | |
| Impedance | 50 Ω | | | |

Description:

Broadband frequency coverage with high reliability and low loss performance makes these switches ideal for testing and end product applications. A wide selection of connectors and features are available to meet most requirements. Good low to medium power handling. **Applications:** test stations, stand-by switch, Tx/Rx antenna switch, distribution switch. **Markets:** defense, telecom, aerospace, enterprise, consumer and IoT.



| Specifications | |
|----------------|---|
| Oper Temp | -25° C to +70° C |
| Oper Temp | -54° C to +85° C (ruggedized version) |
| Storage Temp | -55° C to +100° C |
| Humidity | Moisture resistant or immersion sealing available |
| Shock | MIL-STD-202 Method 213, Condition D, 500G (non oper) |
| Vibration | MIL-STD-202 Method 214, Condition D, 10G RMS (non oper) |
| Cycle Life | 2M cycles (may vary based on selected options) |

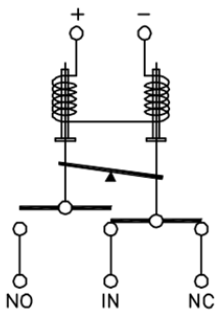
| Popular Models | |
|-----------------|---|
| 12S-S2F3-2612 | SPDT, SMA, Failsafe, Indicators, DC-26.5GHz, 12VDC |
| 12S-S2F2-2612 | SPDT, SMA, Failsafe, DC-26.5GHz, 12VDC |
| 12S-S2F3-2612 | SPDT, SMA, Failsafe, Indicators, DC-26.5GHz, 12VDC |
| 12S-S2F3-2612-F | SPDT, SMA, Failsafe, Indicators, DC-26.5GHz, 12VDC, D-Sub |
| 12S-S2F6-2612-T | SPDT, SMA, Failsafe, +com, DC-26.5GHz, 12VDC, TTL |
| 12S-S2F3-2624-T | SPDT, SMA, Failsafe, Indicators, DC-26.5GHz, 24VDC, TTL |
| 12S-S2F3-2628-T | SPDT, SMA, Failsafe, Indicators, DC-26.5GHz, 28VDC, TTL |

| Voltages and Current | | | | | |
|----------------------|-------|-------|-------|-------|-------|
| Nominal Voltage, Vdc | 5 | 12 | 15 | 24 | 28 |
| Voltage Range, Vdc | 4.5-6 | 11-13 | 14-16 | 22-26 | 26-30 |
| Current (mA)* | 470 | 200 | 160 | 110 | 90 |

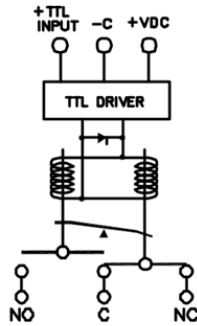
* at nominal voltage and +20°C

- See backside for a full list of available features and options
- Contact us for high power and custom designs

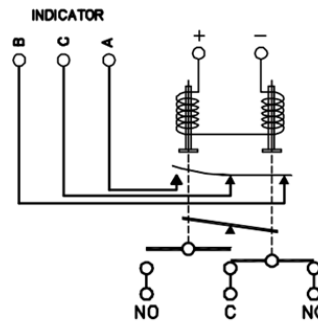
Schematics:



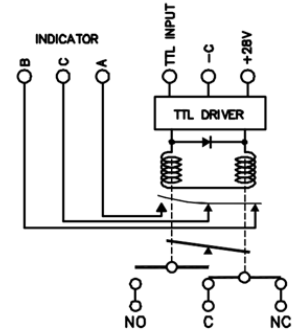
Standard



TTL

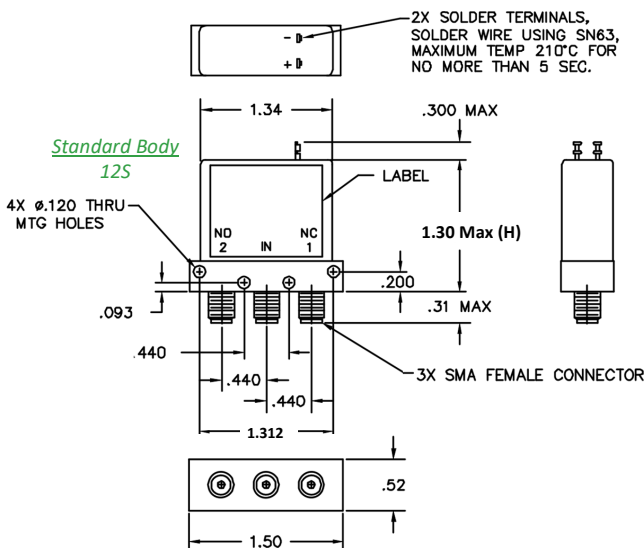


Indicators

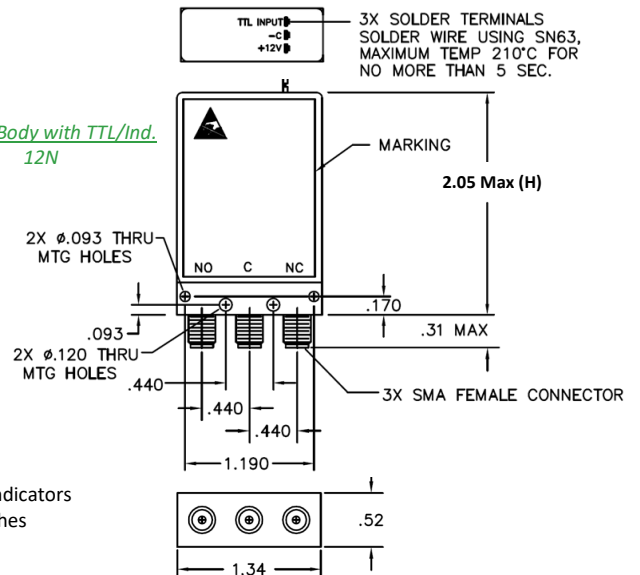


Indicators + TTL

Outline:



Narrow Body with TTL/Ind. 12N



H = 1.30 max standard
H = 2.05 max with TTL/Indicators
All dimensions are in inches

Model Numbering System

Example: 12S-S2F3-2624-TF-R

(SPDT, Standard Body, SMA, Failsafe, Indicators, DC-26.5GHz, 24VDC, TTL, D-Sub, Ruggedized)

| Model Type | Connector Type | Actuator Type | Frequency | Voltage | Options |
|-------------|----------------|---------------------|----------------|-----------|--------------------------------------|
| Standard | SMA | Failsafe | 03 DC-3 GHz | 05 5 VDC | T TTL Driver |
| Narrow Body | 2.92mm | Failsafe, Ind | 06 DC-6 GHz | 12 12 VDC | D TTL Decoder |
| | Special | Failsafe, +com | 08 DC-8 GHz | 15 15 VDC | J Trans Suppression Diodes |
| | | Failsafe, Ind, +com | 12 DC-12 GHz | 18 18 VDC | Solder Pin/Plug* |
| | | | 18 DC-18 GHz | 20 20 VDC | F 9 Pin D-Sub Connector |
| | | | 24 DC-26.5 GHz | 24 24 VDC | M Moisture Seal (2 levels available) |
| | | | 26 DC-26.5 GHz | 28 28 VDC | X Special |
| | | | XX Special | 48 48 VDC | |

* Solder pins are standard for SPDT, no designation on model number needed

