

Features:

- Broadband: DC - 18 GHz
- Extended Life: 5 million cycles
- Excellent Repeatability
- Low Insertion Loss
- Available in 3, 4, 5 or 6 Positions

Note: See model series 13T/E-16T/E for 50Ω terminations

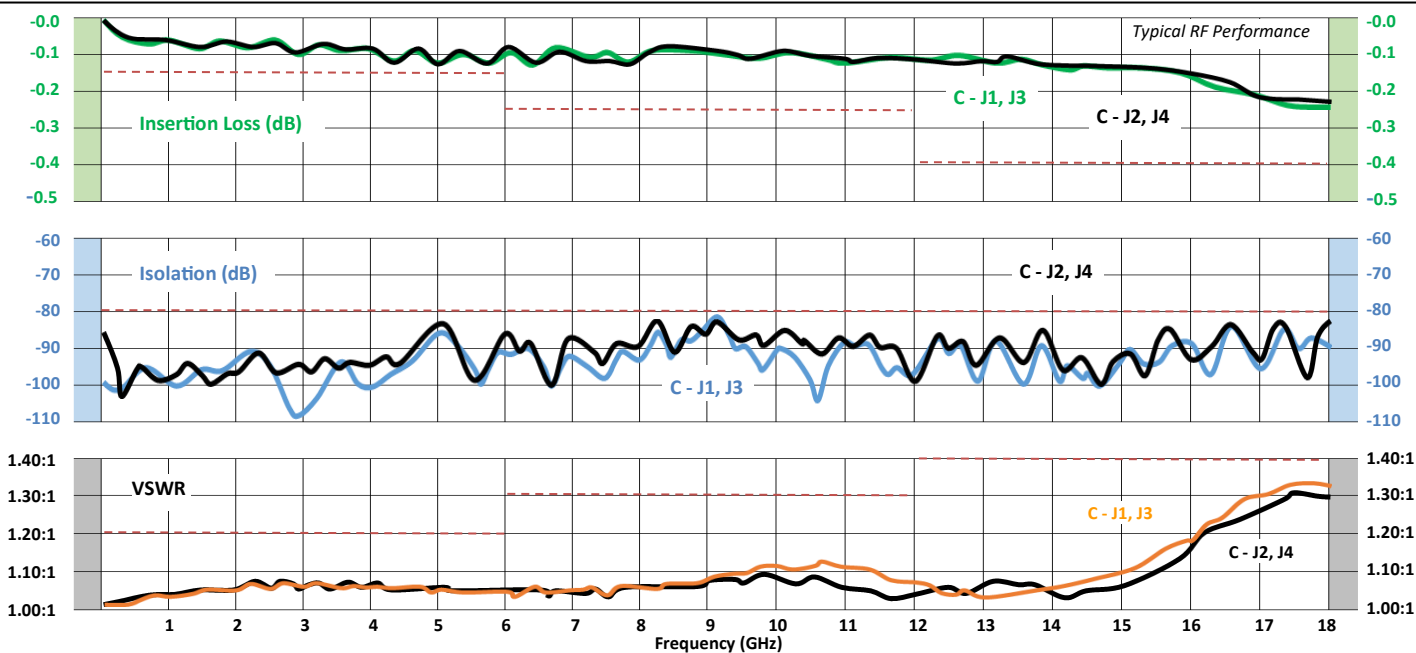


RF Specification:

Frequency, (GHz)	DC-6	6-12	12-18
Ins. Loss dB (max)	0.15	0.25	0.40
Isolation dB (min)	80	80	80
VSWR (max)	1.20:1	1.30:1	1.40:1
Switching Time	20 mS (max)		
Switching Action	Break-Before-Make		
Impedance	50 Ω (Switch and Terminations)		

Description:

High reliability and low loss performance makes these switches ideal for all testing applications. Magnetically latched in place after control voltage is removed. Available in 3, 4, 5 or 6 position versions with a wide selection of features are available to meet most requirements. Good low to medium power handling. **Applications:** lab testing to production ATE requirements. **Markets:** defense, telecom, aerospace, enterprise, consumer and IoT.



Specifications	
Oper Temp	-25° C to +70° C
Oper Temp	-54° C to +85° C (ruggedized version)
Storage Temp	-55° C to +100° C
Humidity	Moisture resistant or immersion sealing available
Shock	MIL-STD-202 Method 213, Condition D, 500G (non oper)
Vibration	MIL-STD-202 Method 214, Condition D, 10G RMS (non oper)
Cycle Life	5M cycles (may vary based on selected options)

Voltages and Current				
Nominal Voltage, Vdc	12	15	24	28
Voltage Range, Vdc	11-13	14-16	22-26	26-30
Current (mA)*	250	200	150	140

Note: Reset current = Current rating x (# of positions)

* at nominal voltage and +20°C

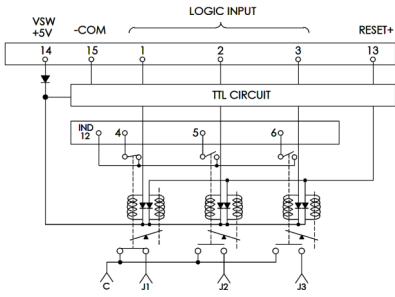
Popular Models	
13S-S2L3-1812	SP3T, SMA, Latching, Indicators, DC-18GHz, 12VDC
13S-S2L6-1812	SP3T, SMA, Latching, +com, DC-18GHz, 12VDC
14S-S2L3-1812	SP4T, SMA, Latching, Indicators, DC-18GHz, 12VDC
14S-S2L3-1812	SP4T, SMA, Latching, Indicators, DC-18GHz, 12VDC
16S-S2L6-1824-T	SP6T, SMA, Latching, +com, DC-18GHz, 24VDC, TTL
16S-S2L3-1824-T	SP6T, SMA, Latching, Indicators, DC-18GHz, 24VDC, TTL
16S-S2L3-1828-T	SP6T, SMA, Latching, Indicators, DC-18GHz, 28VDC, TTL

- See backside for a full list of available features and options

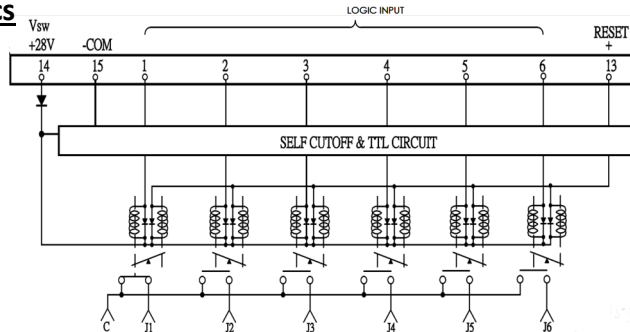
- Contact us for high power and custom designs



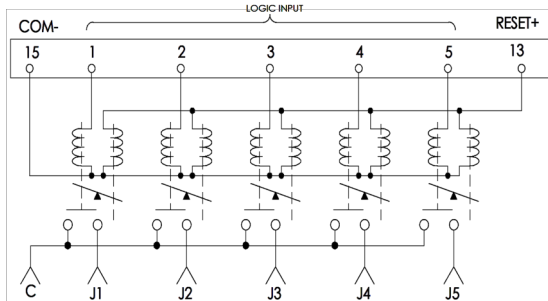
Schematics



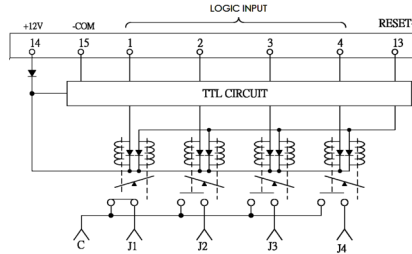
SP3T w/ TTL & Indicators in position J1



SP6T w/TTL & Self Cutoff in position J1



SP5T in reset position



SP4T w/ TTL in position J1

TTL Control

Logic "1": 2.4 to 5.0 VDC
Logic "0": 0 to 0.8 VDC

Actuation Control

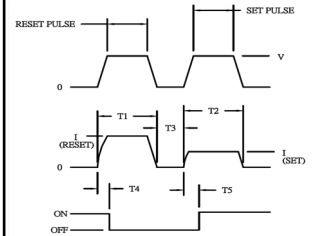
Requires two sequential pulses
"Reset and Set" (see below)

T1 & T2 = 30mS min.

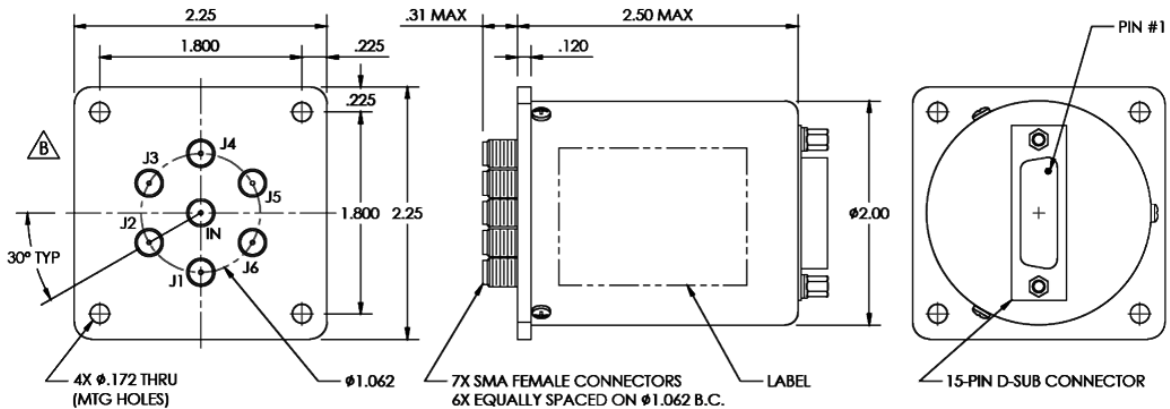
T3 = 10mS min.

T4 & T5 = 20mS max

Contact factory for full operating sequence, pin assignments and truth tables



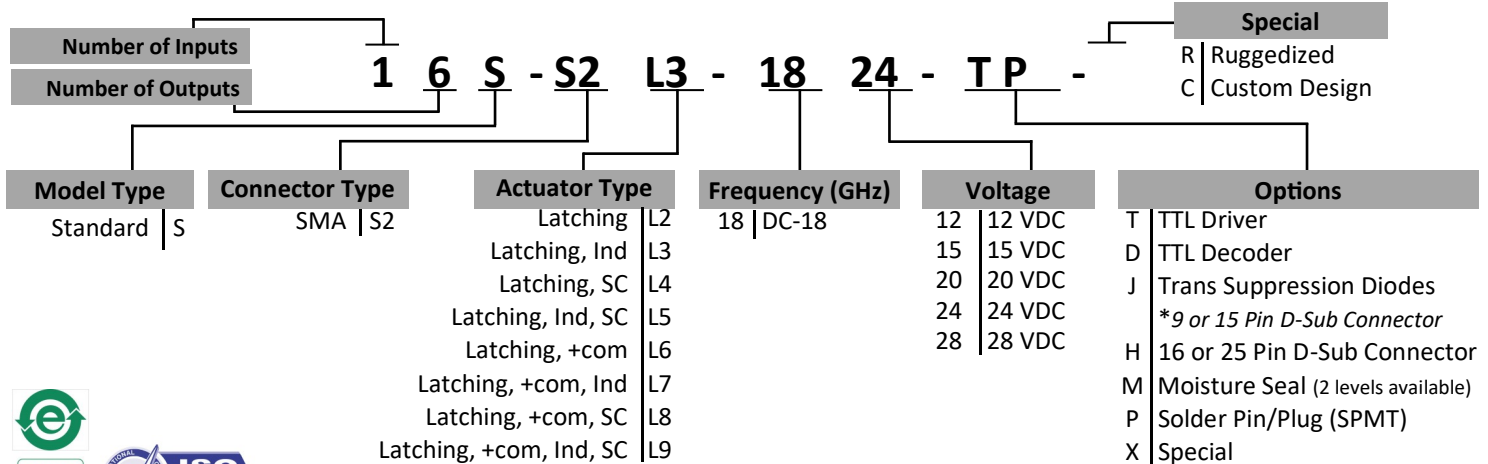
Outline



Model Numbering System

Example: 16S-S2L3-1824-TP

(SP6T, Standard Body, SMA, Latching, Indicators, DC-18GHz, 24VDC, TTL, Solder Pins)



* D-Sub connectors are standard for SPMT, no designation on model number needed

