

Features:

- Broadband: DC - 18 GHz
- Extended Life: 2 million cycles
- Excellent Repeatability
- Low Insertion Loss
- 50Ω Internal Terminations
- Available in 7 or 8 Positions

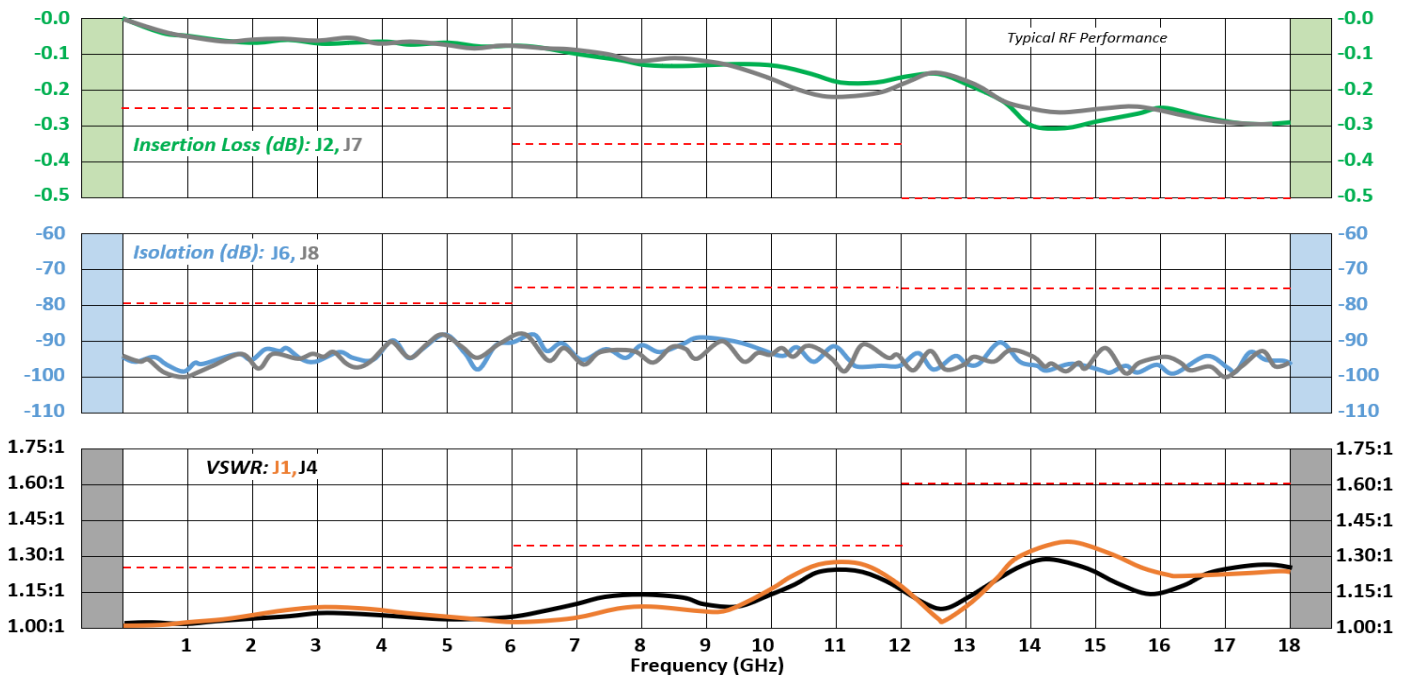


RF Specification:

Frequency, (GHz)	DC-6	6-12	12-18
Ins. Loss dB (max)	0.25	0.35	0.50
Isolation dB (min)	80	75	75
VSWR (max)	1.25:1	1.35:1	1.60:1
Switching Time	20 mS (max)		
Switching Action	Break-Before-Make		
Impedance	50Ω (Switch and Terminations)		

Description:

Internal 50 ohm terminations ensure good isolation in the “off” state regardless of the match to which the switch is connected. High reliability and low loss performance makes these switches ideal for all testing applications. Selected position remains active with constant voltage, all positions are open when voltage is removed. **Applications:** lab testing to production ATE requirements. **Markets:** defense, telecom, aerospace, enterprise, consumer and IoT.



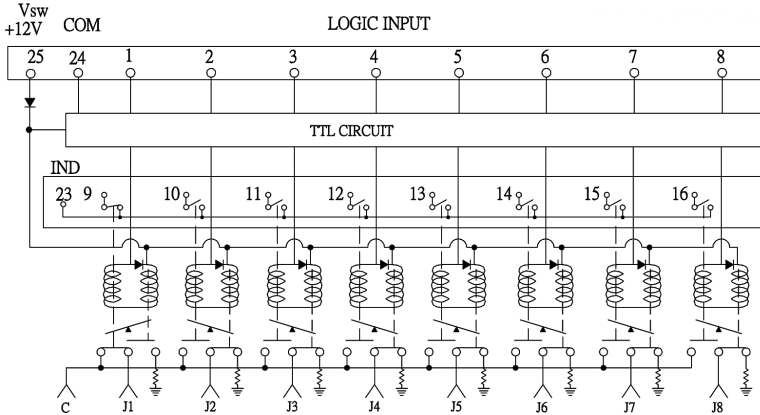
Specifications	
Oper Temp	-25° C to +70° C
Oper Temp	-54° C to +85° C (ruggedized version)
Storage Temp	-55° C to +100° C
Humidity	Moisture resistant or immersion sealing available
Shock	MIL-STD-202 Method 213, Condition D, 500G (non oper)
Vibration	MIL-STD-202 Method 214, Condition D, 10G RMS (non oper)
Cycle Life	2M cycles (may vary based on selected options)

Voltages and Current			
Nominal Voltage, Vdc	12	24	28
Voltage Range, Vdc	11-13	22-26	26-30
Set Current (mA)*	420	175	140

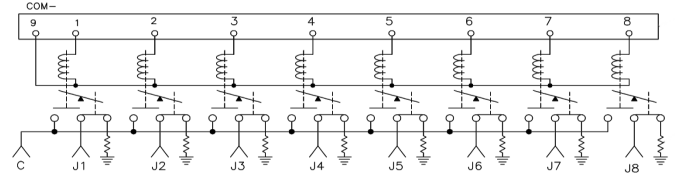
Popular Models	
18T-S2N3-1812	SP8T, Term, SMA, NO, Ind, DC-18GHz, 12VDC
18T-S2N4-1812	SP8T, Term, SMA, NO, +com, DC-18GHz, 12VDC
17T-S2N3-1812	SP7T, Term, SMA, NO, Ind, DC-18GHz, 12VDC
17T-S2N4-1812	SP7T, Term, SMA, NO, +com, DC-18GHz, 12VDC
18T-S2N4-1824-T	SP8T, Term, SMA, NO, +com, DC-18GHz, 24VDC, TTL
18T-S2N3-1824-T	SP8T, Term, SMA, NO, Ind, DC-18GHz, 24VDC, TTL
18T-S2N3-1828-T	SP8T, Term, SMA, NO, Ind, DC-18GHz, 28VDC, TTL

- See backside for a full list of available features and options
 - Contact us for high power and custom designs
 * at nominal voltage and +20°C

Schematics

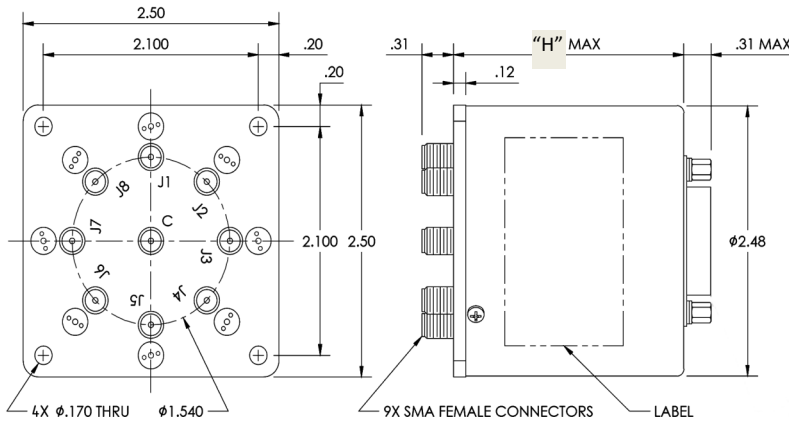


SP8T: Normally Open, 50Ω terminations, TTL control, Indicators, 25 Pin D-Sub (Position J1)

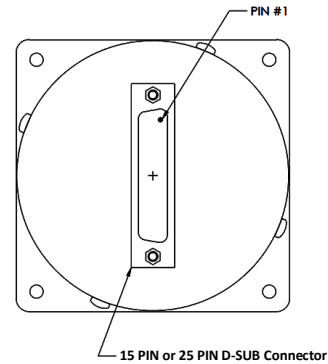


SP8T: 50Ω terminations, 15 pin D-Sub (All Positions Open)

Outline



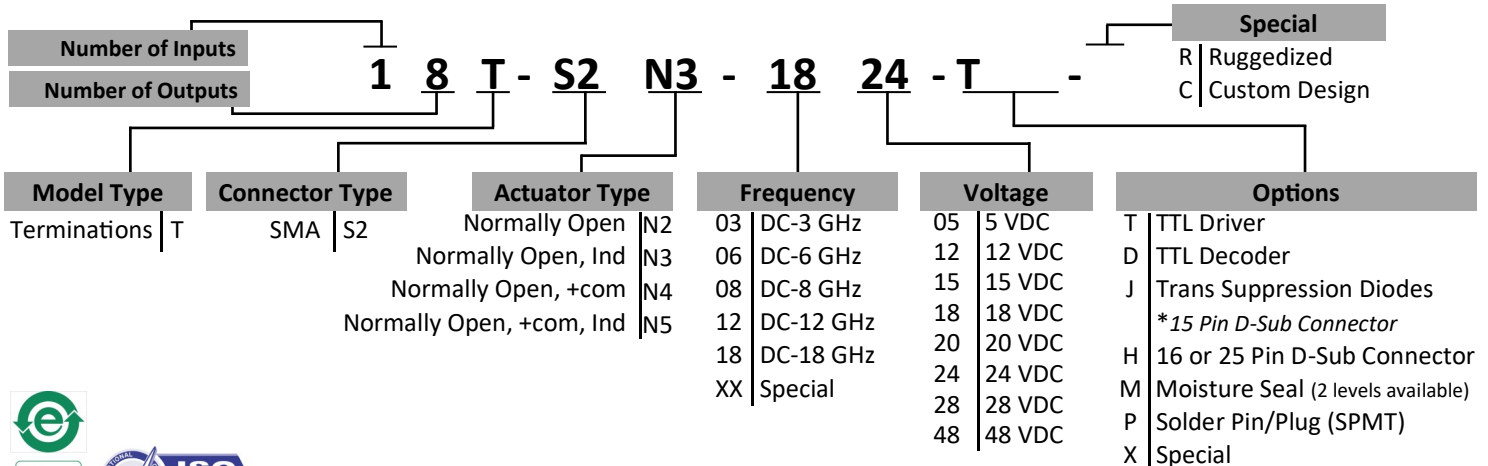
“H” DIM:
Standard = 2.25
With TTL = 3.30



Model Numbering System

Example: 18T-S2N3-1824-T

(SP8T, 50Ω Terminations, SMA, NO, Indicators, DC-18GHz, 24VDC, TTL)



* 15 D-Sub connectors are standard for SPMT, no designation on model number needed

