

Features:

- Broadband: DC - 40 GHz
- Extended Life: 2 million cycles
- Excellent Repeatability
- Low Insertion Loss
- High Isolation

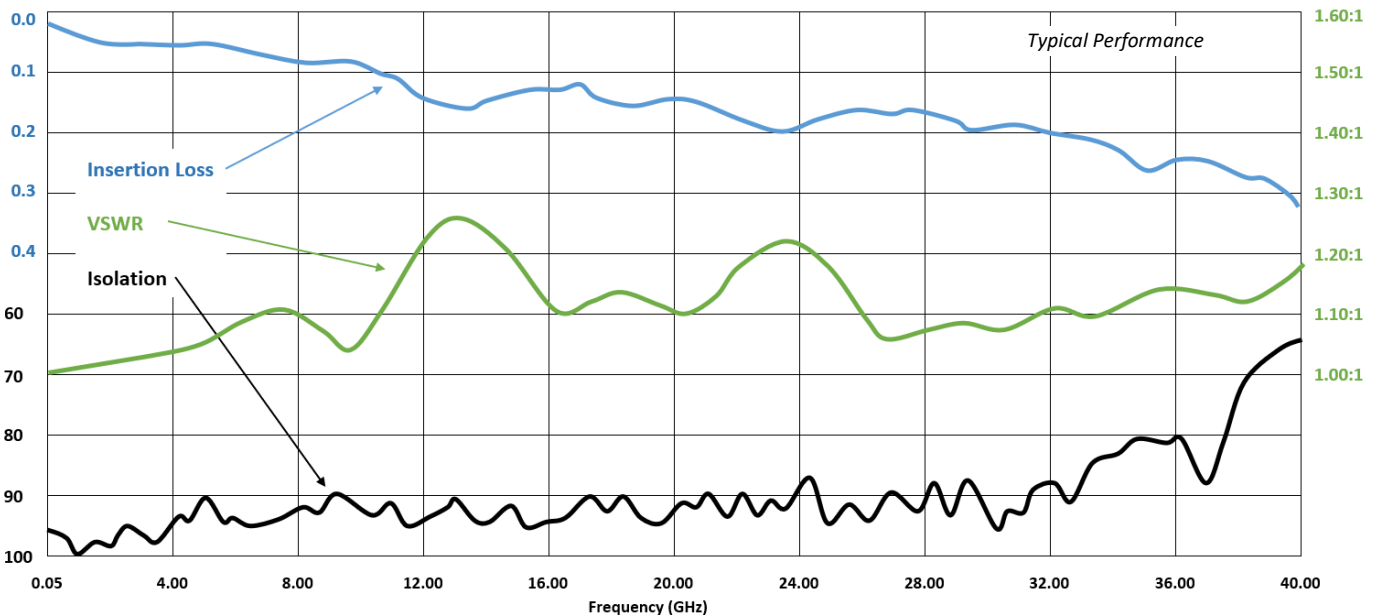


RF Specification:

Frequency, (GHz)	DC - 6	6 - 12.4	12.4 - 18	18 - 26.5	26.5 - 40	Operation	Specification
Ins. Loss dB (max)	0.15	0.25	0.30	0.40	0.50	Switching Time	20 mS (max)
Isolation dB (min)	80	75	65	65	60	Switching Action	Break-Before-Make
VSWR (max)	1.15:1	1.35:1	1.40:1	1.40:1	1.50:1	Impedance	50 Ω

Description: Broadband frequency coverage with high reliability and low loss performance makes these switches ideal for testing and end product applications. A wide selection of connectors and features are available to meet most requirements. Good low to medium power handling.

Applications: Bench testing, ATE stations, broadband transceivers, antenna systems. **Markets:** government, telecom, aerospace, enterprise, consumer and IoT.



Specifications	
Oper Temp	-25° C to +70° C
Oper Temp	-54° C to +85° C (ruggedized version)
Storage Temp	-55° C to +100° C
Humidity	Moisture resistant or immersion sealing available
Shock	MIL-STD-202 Method 213, Condition D, 500G (non oper)
Vibration	MIL-STD-202 Method 214, Condition D, 10G RMS (non oper)
Cycle Life	2M cycles (may vary based on selected options)

Popular Models	
12T-M2F3-4012	SPDT, 2.92, Failsafe, Indicators, DC-40GHz, 12VDC
12T-M2F2-4012-F	SPDT, 2.92, Failsafe, DC-40GHz, 12VDC, D-Sub
12T-M2F3-4012	SPDT, 2.92, Failsafe, Indicators, DC-40GHz, 12VDC
12T-M2F3-4012	SPDT, 2.92, Failsafe, Indicators, DC-40GHz, 12VDC
12T-M2F6-4012-T	SPDT, 2.92, Failsafe, +com, DC-40GHz, 12VDC, TTL
12T-M2F3-4024-T	SPDT, 2.92, Failsafe, Indicators, DC-40GHz, 24VDC, TTL
12T-M2F3-4028-T	SPDT, 2.92, Failsafe, Indicators, DC-40GHz, 28VDC, TTL

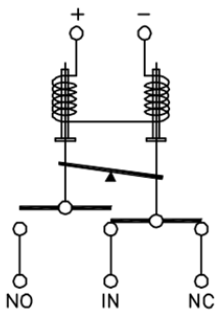
- See backside for a full list of available features and options
- Contact us for high power and custom designs

Voltages and Current				
Nominal Voltage, Vdc	12	15	24	28
Voltage Range, Vdc	11-13	14-16	22-26	26-30
Current (mA)*	200	160	110	90

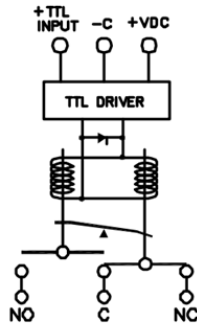
* at nominal voltage and +20°C



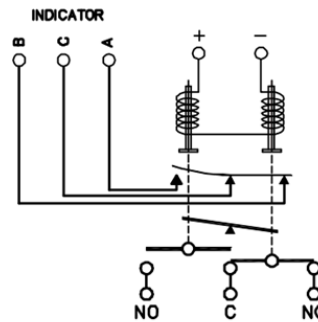
Schematics:



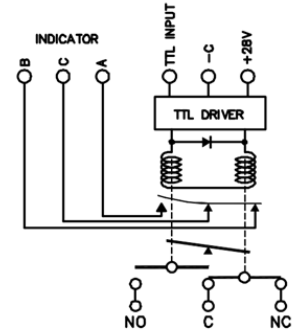
Standard



TTL

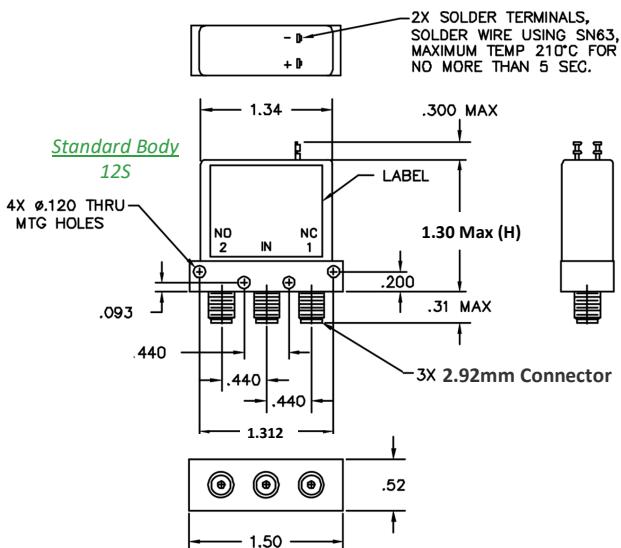


Indicators

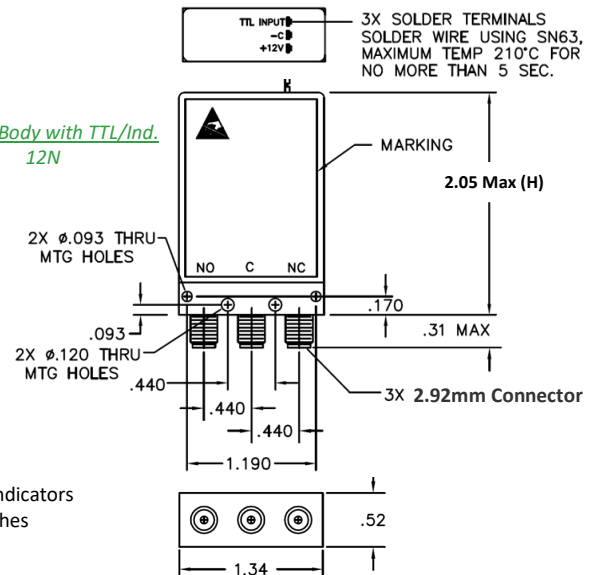


Indicators + TTL

Outline:



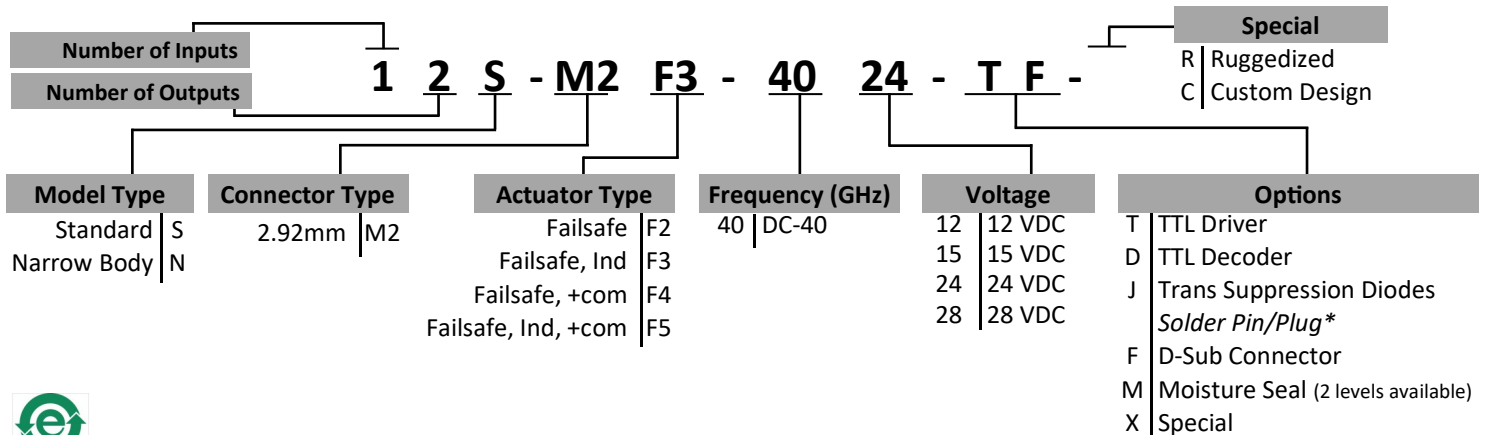
Narrow Body with TTL/Ind. 12N



H = 1.30 max standard
H = 2.05 max with TTL/Indicators
All dimensions are in inches

Model Numbering System

Example: 12S-M2F3-4024-TF-
(SPDT, 2.92, Failsafe w/indicators, DC-40GHz, 24VDC, TTL, D-Sub)



* Solder pins are standard for SPDT, no designation on model number needed

