

Features:

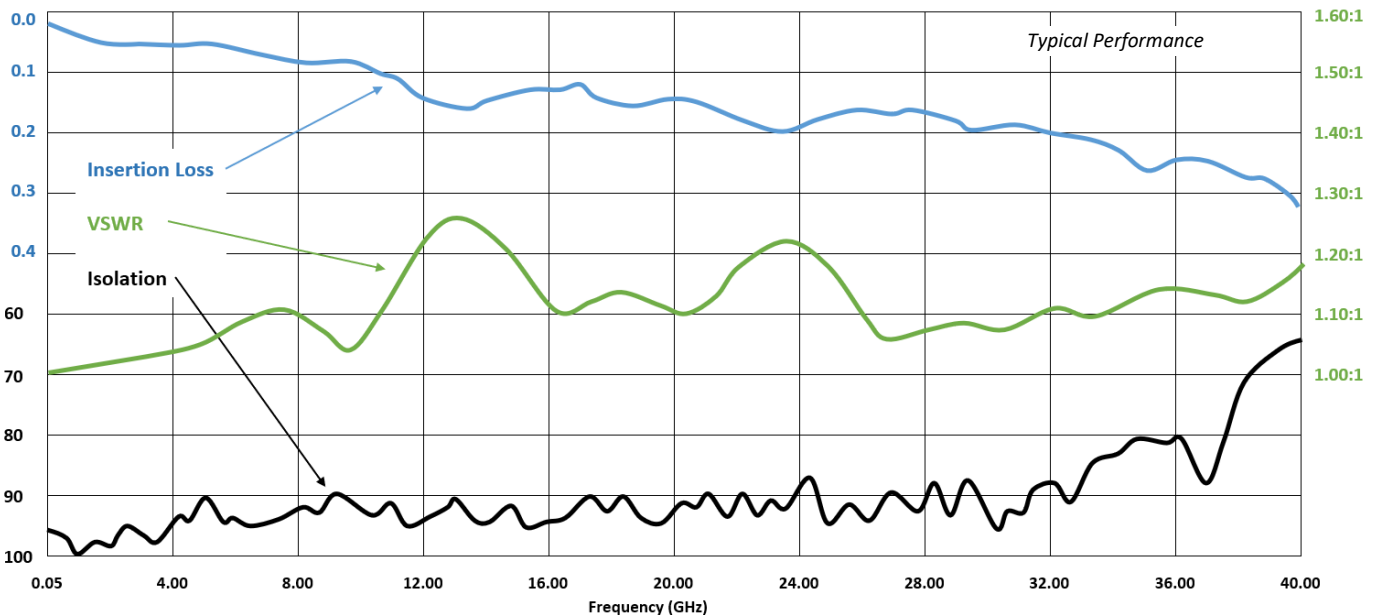
- Broadband: DC - 40 GHz
- Extended Life: 2 million cycles
- Excellent Repeatability
- Low Insertion Loss
- High Isolation



RF Specification:

Frequency, (GHz)	DC - 6	6 - 12.4	12.4 - 18	18 - 26.5	26.5 - 40	Operation	Specification
Ins. Loss dB (max)	0.20	0.30	0.40	0.50	0.70	Switching Time	20 mS (max)
Isolation dB (min)	85	80	80	75	60	Switching Action	Break-Before-Make
VSWR (max)	1.15:1	1.35:1	1.40:1	1.45:1	1.50:1	Impedance	50 Ω

Description: Broadband frequency coverage with high reliability and low loss performance makes these switches ideal for testing and end product applications. Precision 2.92mm connectors are employed for excellent RF performance coupled with a variety of available features to meet most requirements. Good low to medium power handling. **Applications:** test stations, stand-by switch, Tx/Rx antenna switch, distribution switch. **Markets:** defense, telecom, aerospace, enterprise, consumer and IoT.



Specifications	
Oper Temp	-25° C to +70° C
Oper Temp	-54° C to +85° C (ruggedized version)
Storage Temp	-55° C to +100° C
Humidity	Moisture resistant or immersion sealing available
Shock	MIL-STD-202 Method 213, Condition D, 500G (non oper)
Vibration	MIL-STD-202 Method 214, Condition D, 10G RMS (non oper)
Cycle Life	2M cycles (may vary based on selected options)

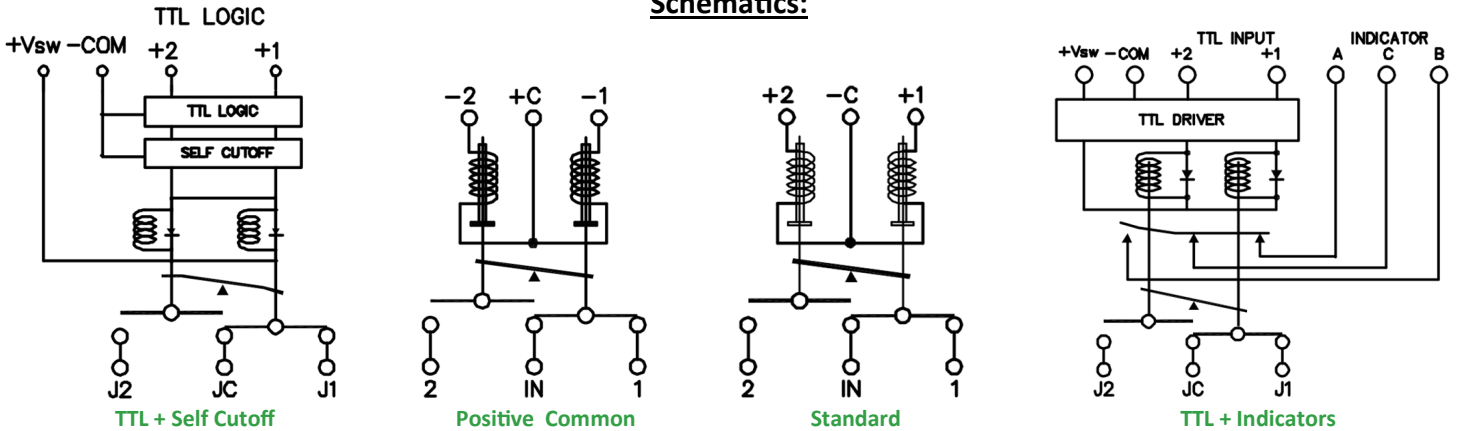
Voltages and Current				
Nominal Voltage, Vdc	12	15	24	28
Voltage Range, Vdc	11-13	14-16	22-26	26-30
Current (mA)*	200	160	110	65

* at nominal voltage and +20°C

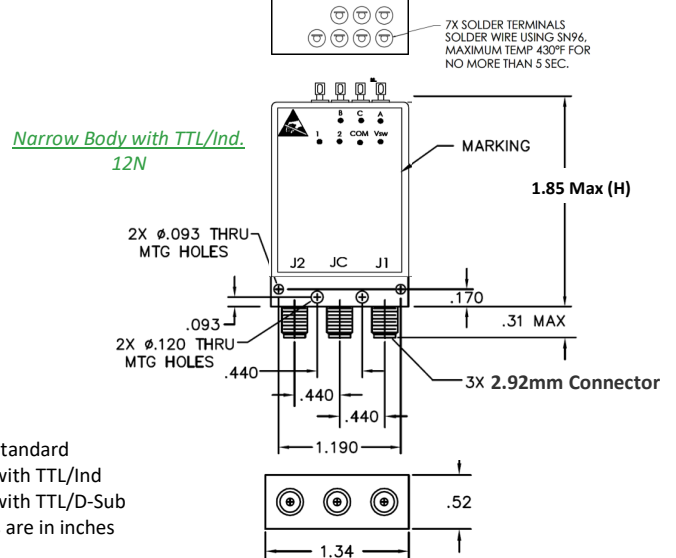
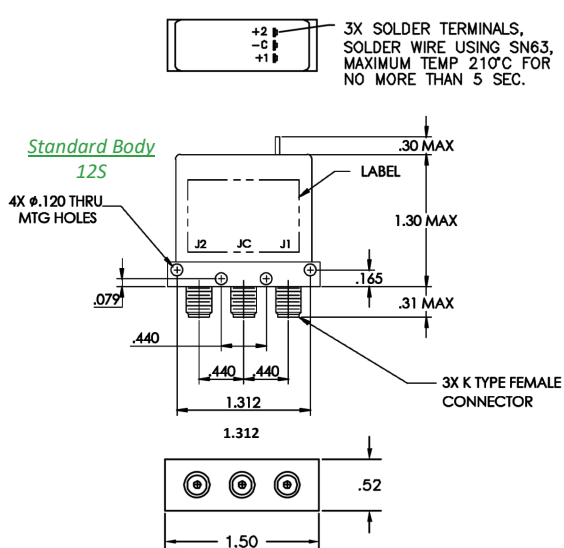
Popular Models	
12S-M2L3-4012	SPDT, 2.92, Latching, Indicators, DC-40GHz, 12VDC
12S-M2L2-4012	SPDT, 2.92, Latching, DC-40GHz, 12VDC
12S-M2L3-4012	SPDT, 2.92, Latching, Indicators, DC-40GHz, 12VDC
12S-M2L3-4012-F	SPDT, 2.92, Latching, Indicators, DC-40GHz, 12VDC, D-Sub
12S-M2L6-4012-T	SPDT, 2.92, Latching, +com, DC-40GHz, 12VDC, TTL
12S-M2L3-4024-T	SPDT, 2.92, Latching, Indicators, DC-40GHz, 24VDC, TTL
12S-M2L3-4028-T	SPDT, 2.92, Latching, Indicators, DC-40GHz, 28VDC, TTL

- See backside for a full list of available features and options
- Contact us for high power and custom designs

Schematics:



Outline:



H = 1.30 max standard
 H = 1.85 max with TTL/Ind
 H = 2.05 max with TTL/D-Sub
 All dimensions are in inches

Model Numbering System

Example: 12S-M2L3-4024-TF

(SPDT, Standard Body, 2.92, Latching w/indicators, DC-40GHz, 24VDC, TTL, D-Sub)

